

WARNING AND INSTRUCTIONS

FOR YOUR PROTECTION, YOU MUST CAREFULLY READ ALL WARNINGS AND INSTRUCTIONS IN THEIR ENTIRETY PRIOR TO INSTALLATION, OPERATION, SERVICE OR MAINTENANCE. FAILURE TO DO SO CAN RESULT IN DEATH, PERSONAL INJURY AND PROPERTY DAMAGE.

Installation, service and maintenance of luminaires must be performed by a qualified professional and in accordance with all federal, state and local laws, regulations and electrical codes. This professional should be familiar with the construction and operation of this product and any hazards involved. If not qualified, do not attempt installation, service or maintenance.

To reduce the risk of death, personal injury or property damage from fire, electric shock, falling parts, cuts, abrasions and other hazards, please read all warnings and instructions included with the luminaire, on the luminaire's packaging and affixed to the luminaire itself.

Maintenance of the luminaires should be performed by person(s) familiar with the luminaire's construction and operation and any hazards involved.

WARNING: RISK OF FIRE, ELECTRIC SHOCK OR PERSONAL INJURY

Disconnect or turn off power before attempting any installation, service or maintenance. Verify that supply voltage is correct by referencing the luminaire label information. Make all electrical and ground connections in accordance with the National Electrical Code (NEC) and any other applicable laws, regulations or codes. All wiring connections should be capped with UL-approved wire connectors.

ENSURE ELECTRICAL SUPPLY IS SWITCHED **OFF** BEFORE ATTEMPTING ANY INSTALLATION, SERVICE OR MAINTENANCE.

WARNING

Please note that it is recommended that a structural engineer be consulted to ensure that the luminaire is properly designed and installed per the specific site application.

The structural engineer should be provided with information about the luminaire, such as dimensions, weight, effective projected area, allowable cable diameters specification sheet and a description of how the cables will be mounted.

The structural engineer should also be provided details of the application such as: the quantity, locations, limiting sag, structural mounting points and environmental condition such and ice, wind and corrosion effects.

Stainless steel catenary cables, power cables, cable ends, structural masts, fittings for attachment to the building or other fixed structural support are provided by others.

SUPPLIED BY OTHERS

POWER CABLE SPECIFICATIONS:

TYPE: SJTOW - 3-CONDUCTOR POWER CABLE
OD: 0.380"
VOLTAGE RATING: 300V
TEMPERATURES RATING: 105°C

5-CONDUCTOR POWER CABLE IS REQUIRED TO UTILIZE 0-10V DIMMING OF THE LUMINAIRE.

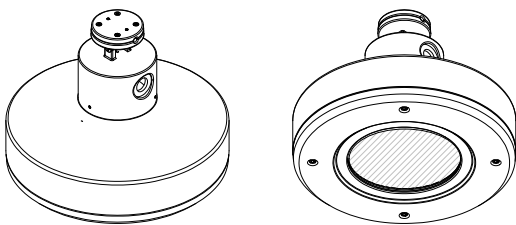
NOTE: The liquid-tight strain-relief bushings (HEYCO 1066) shall accept a cable diameter range of (0.330" to 0.440")

ALLOWABLE STAINLESS STEEL CABLE:

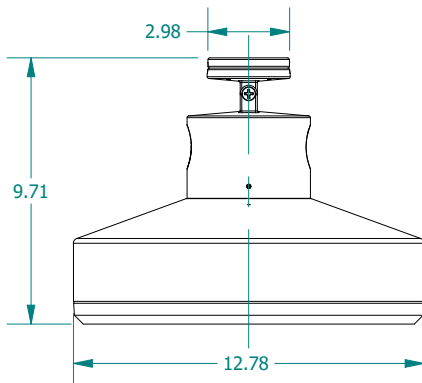
OD: 0.250"
STAINLESS STEEL GRADE PER STRUCTURAL ENGINEER SPECIFICATION.

INSTALLATION CONTENTS

EQ101 LUMINAIRE
EQ101 INSTALLATION GUIDE
HEYCO 1066 LTBSR 875-188-440 (QTY 2)
HEYCO 2070 LTBP875-250 (QTY 1)



NOTE: INSTALLER SHALL REMOVE BLUE PROTECTIVE FILM OVER LIGHT GUIDE PANEL LENS AFTER INSTALLATION AND PRIOR TO ENERGIZING THE LUMINAIRE.



EQ101 - EQ CATENARY
LUMINAIRE WEIGHT: 15.0 LBS
EPA: 0.41

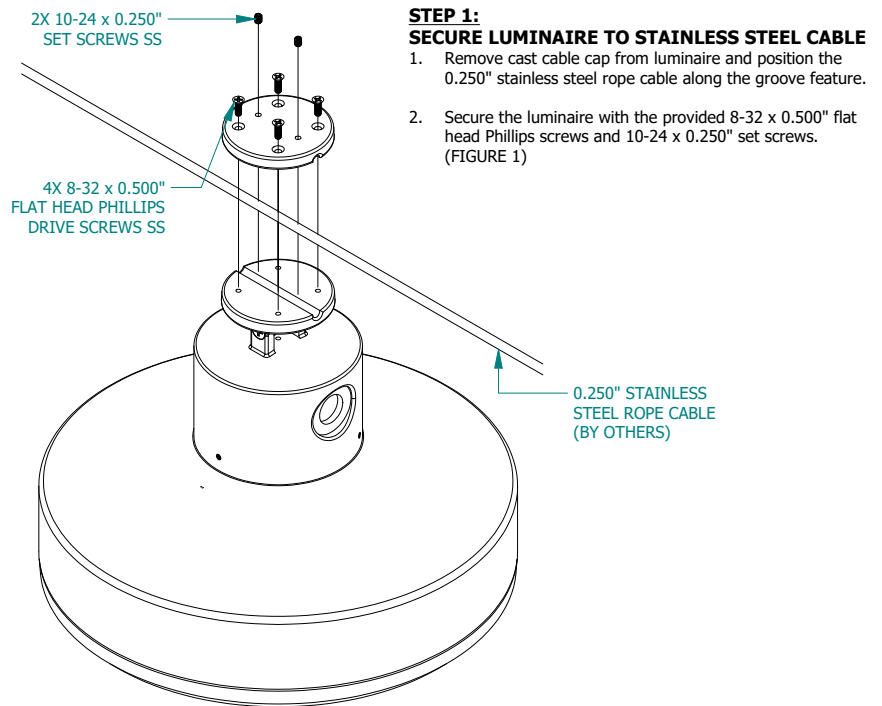


FIGURE 1

STEP 1:

SECURE LUMINAIRE TO STAINLESS STEEL CABLE

1. Remove cast cable cap from luminaire and position the 0.250" stainless steel rope cable along the groove feature.
2. Secure the luminaire with the provided 8-32 x 0.500" flat head Phillips screws and 10-24 x 0.250" set screws. (FIGURE 1)

PRODUCT INSTALLATION GUIDE

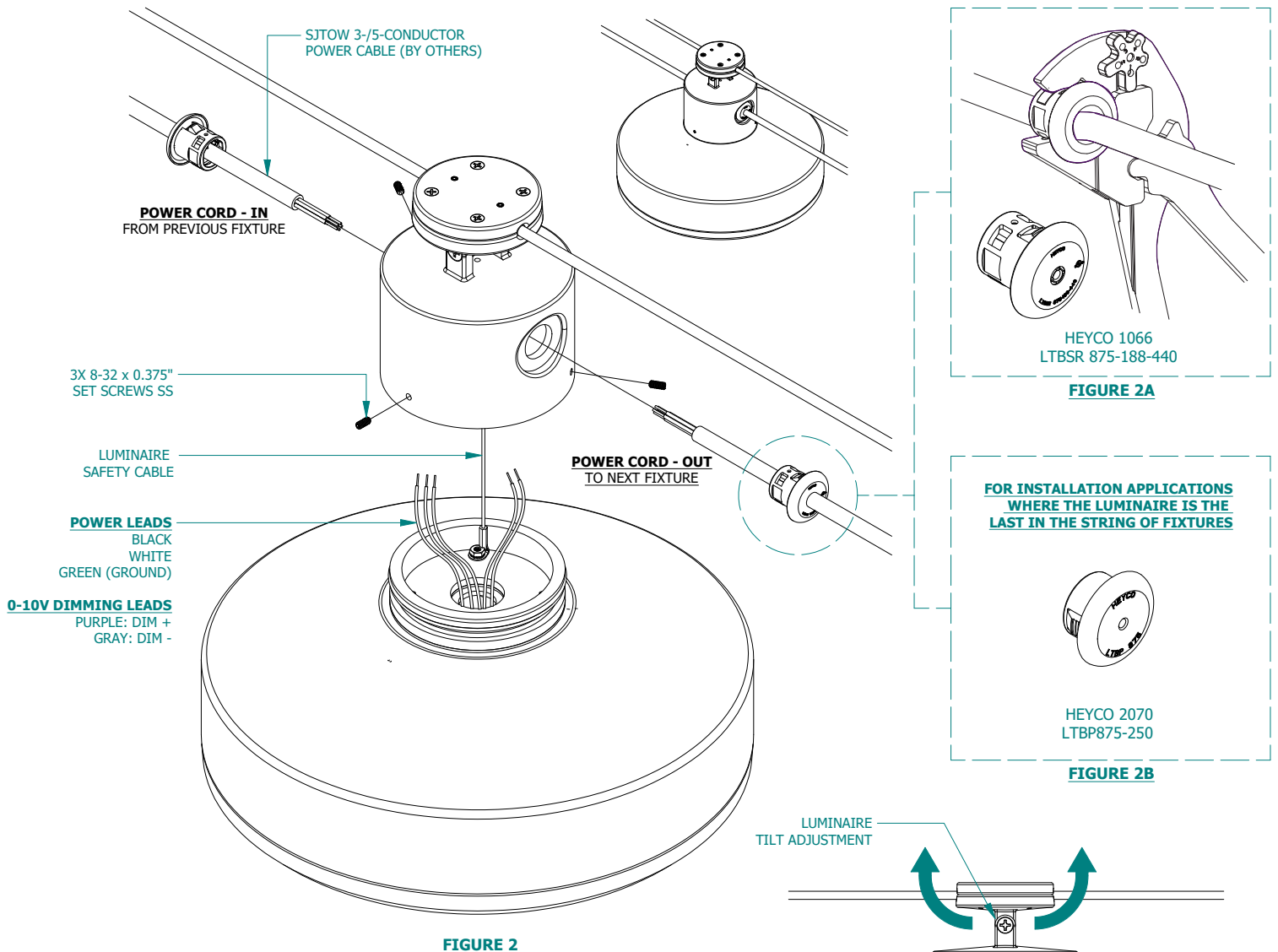


FIGURE 2

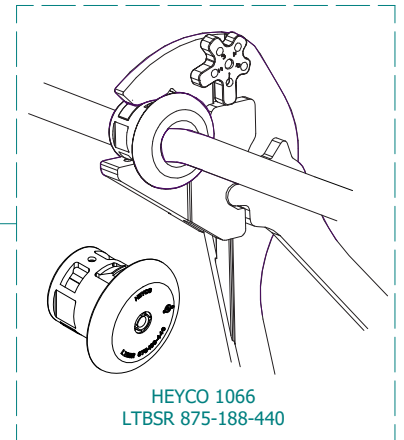


FIGURE 2A

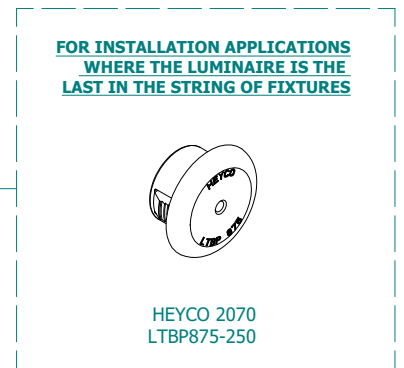


FIGURE 2B

FOR INSTALLATION APPLICATIONS WHERE THE LUMINAIRE IS THE LAST IN THE STRING OF FIXTURES

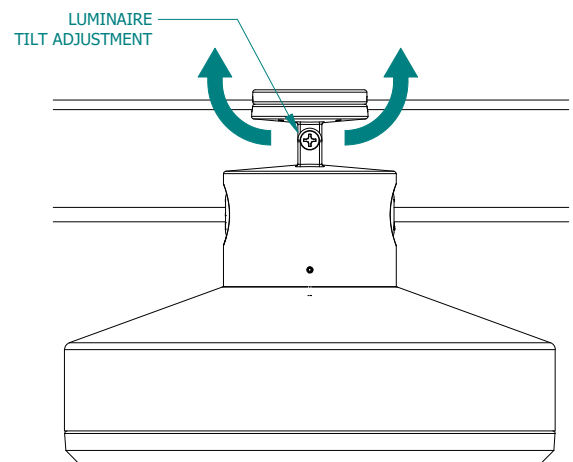


FIGURE 3

STEP 2:
INSERT POWER CABLES

1. Remove the 8-32 x 0.375" set screws securing the luminaire body to the wire compartment housing. (FIGURE 2)
2. Strip back the ends of the power cable (by others) to expose the required wire leads and position the HEYCO 1066 LTBSR 875-188-440 liquid tight strain relief bushings, allowing for at least 4.00" of engagement over the power cable. (FIGURE 2)
3. Secure bushings over the power cables with hand pliers for easy installation. Conforms to UL strain relief requirements without the need of bending or kinking the cable. (FIGURE 2A)
4. Liquid tight strain relief bushing should be pre-assembled to the cable prior to installation and snap fit into the side opening of the wiring enclosure of the luminaire.

For installation applications where the luminaire is the last in the string of fixtures, use the provided Heyco plug bushing (HEYCO 2070 LTBP875-250) and insert snap fit into the side opening of the wiring enclosure. (FIGURE 2B)

STEP 3:
ESTABLISH ELECTRICAL CONNECTIONS

1. Reference the provided wiring diagram for detailed wiring instructions.

STEP 4:
ORIENT AND SECURE

1. After the wiring connections have been established, reattach the luminaire body to the wire compartment housing.
2. Ensure that the luminaire is oriented and directed in the correct location per the lighting distribution type. Reference the directional indicator on the underside of the luminaire.
3. To adjust the tilt angle of the luminaire, loosen and secure the center locking tilt screw. (FIGURE 3)

ELECTRICAL WIRING DIAGRAM

ENSURE ELECTRICAL SUPPLY IS SWITCHED **OFF** BEFORE ATTEMPTING ANY INSTALLATION, SERVICE OR MAINTENANCE.

LUMINAIRE SHALL NOT BE ENERGIZED UNTIL INSTALLATION OR MAINTENANCE IS COMPLETED.

