

WARNING AND INSTRUCTIONS

FOR YOUR PROTECTION, YOU MUST CAREFULLY READ ALL WARNINGS AND INSTRUCTIONS IN THEIR ENTIRETY PRIOR TO INSTALLATION, OPERATION, SERVICE OR MAINTENANCE. FAILURE TO DO SO CAN RESULT IN DEATH, PERSONAL INJURY AND PROPERTY DAMAGE.

Installation, service and maintenance of luminaires must be performed by a qualified professional and in accordance with all federal, state and local laws, regulations and electrical codes. This professional should be familiar with the construction and operation of this product and any hazards involved. If not qualified, do not attempt installation, service or maintenance.

To reduce the risk of death, personal injury or property damage from fire, electric shock, falling parts, cuts, abrasions and other hazards, please read all warnings and instructions included with the luminaire, on the luminaire's packaging and affixed to the luminaire itself.

Maintenance of the luminaires should be performed by person(s) familiar with the luminaire's construction and operation and any hazards involved.

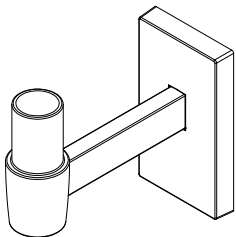
WARNING: RISK OF FIRE, ELECTRIC SHOCK OR PERSONAL INJURY

Disconnect or turn off power before attempting any installation, service or maintenance. Verify that supply voltage is correct by referencing the luminaire label information. Make all electrical and ground connections in accordance with the National Electrical Code (NEC) and any other applicable laws, regulations or codes. All wiring connections should be capped with UL-approved wire connectors.

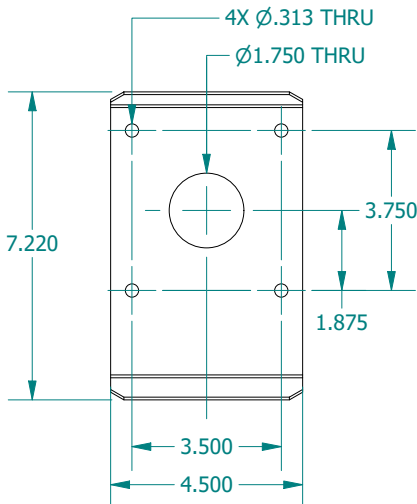
ENSURE ELECTRICAL SUPPLY IS SWITCHED **OFF** BEFORE STARTING FIXTURE

INSTALLATION GUIDE IS APPLICABLE TO EQ112 AND EQ121 LUMINAIRES CONFIGURED WITH WM122 WALL MOUNT ARM.

WM122

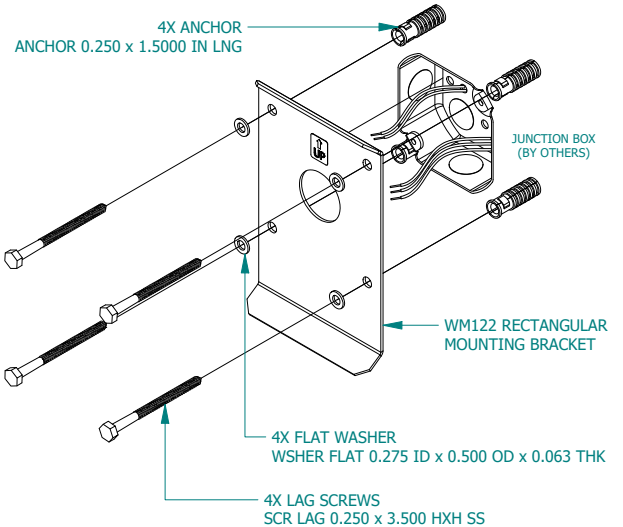


WM122 MOUNTING DETAIL



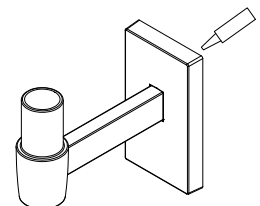
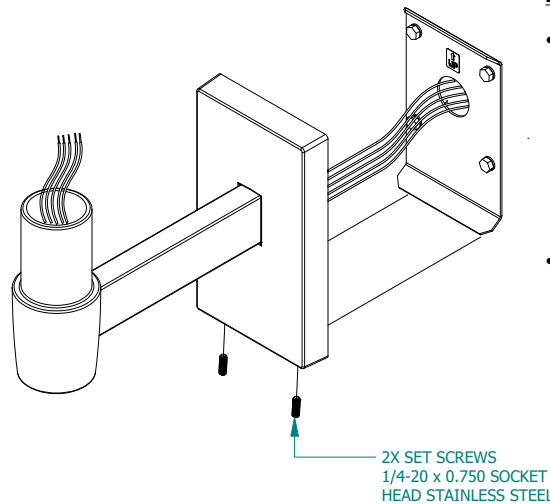
INSTALL WALL MOUNT BRACKET

- Use the wall mount bracket as a template to mark the mounting surface. Reference 'MOUNTING DETAIL' for additional information.
- Ensure that the wire way opening of the wall mount bracket is positioned directly over the junction box (by others).
- Prepare mounting holes into surface. Hardware provided by ANP Lighting is supplied as a courtesy. It is the responsibility of the installer to ensure that the proper mounting hardware is used and meets the requirements of the application. Product shall be installed against a flat, even surface.
- Use a 1/2" drill bit to install the screw anchors (4X) into the mounting surface.
- Secure wall mount assembly to surface with 1/4" x 3-1/2" Hex Lag Screws (4X) and Flat Washers (4X).



ESTABLISH WIRING CONNECTIONS FROM INCOMING POWER TO WALL ARM MOUNT

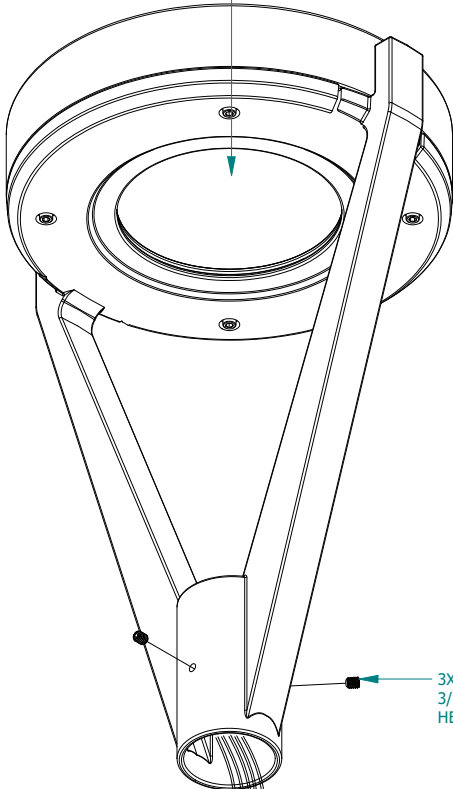
- Establish wiring connections from the incoming line to the wall arm mount. (BLACK to LINE VOLTAGE; WHITE to NEUTRAL; GREEN to GROUND) Additionally, wire PURPLE to PURPLE and GRAY to GRAY for 0-10V dimming leads if available on your application. If dimming leads are unused, wires must be **individually** capped off. Ensure PURPLE and GRAY dimming leads are not tied together or connected to incoming power.
- Apply RTV silicone sealant to perimeter of wall mount surface to prevent ingress of water.



NOTE: APPLY RTV SILICONE SEALANT TO PERIMETER OF WALL MOUNT SURFACE TO PREVENT WATER INGRESS. (BY OTHERS)

PRODUCT INSTALLATION GUIDE

NOTE: BLUE PROTECTIVE FILM SHALL BE REMOVED BY INSTALLER PRIOR TO ENERGIZING THE LUMINAIRE.



ESTABLISH WIRING CONNECTIONS FROM WALL ARM MOUNT TO LUMINAIRE

- Establish wiring connections from the wall arm mount to the luminaire. (BLACK to BLACK; WHITE to WHITE; GREEN to GREEN) Additionally, wire PURPLE to PURPLE and GRAY to GRAY for 0-10V dimming leads, if available in your application.
- If dimming leads are unused, wires must be **individually** capped off. Ensure PURPLE and GRAY dimming leads are not tied together.

MOUNT LUMINAIRE TO WALL ARM MOUNT

- Position the luminaire onto the wall arm mount and orient the luminaire to street side. An arrow on the underside of the luminaire shall indicate the direction of the source. Secure with the provided 3X 3/8-18 set screws.

NOTE: A blue protective film on the LED Light Guide Panel shall be removed by the installer prior to energizing the luminaire.

