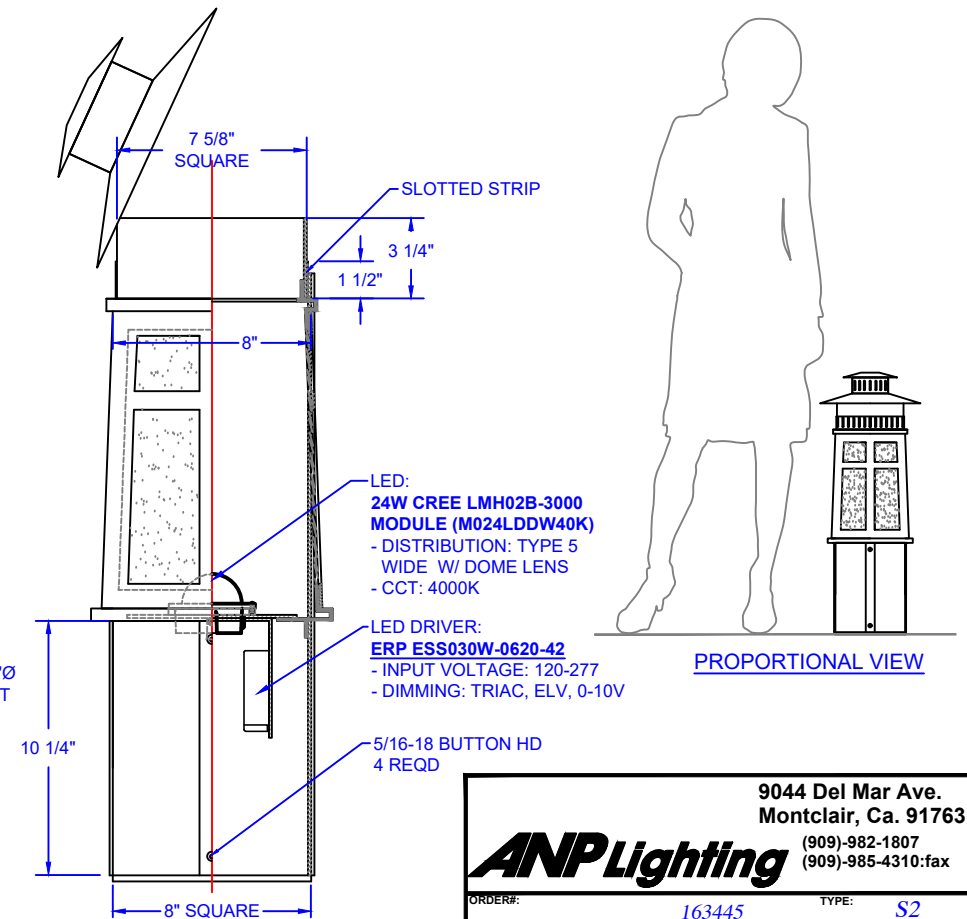
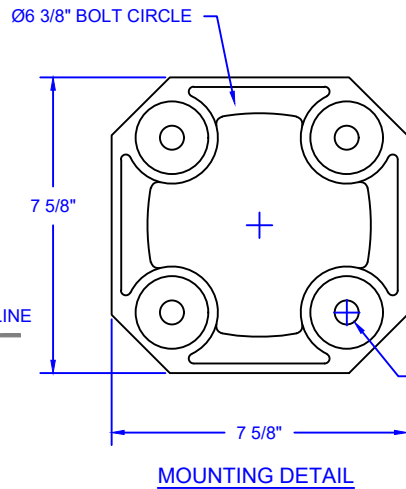
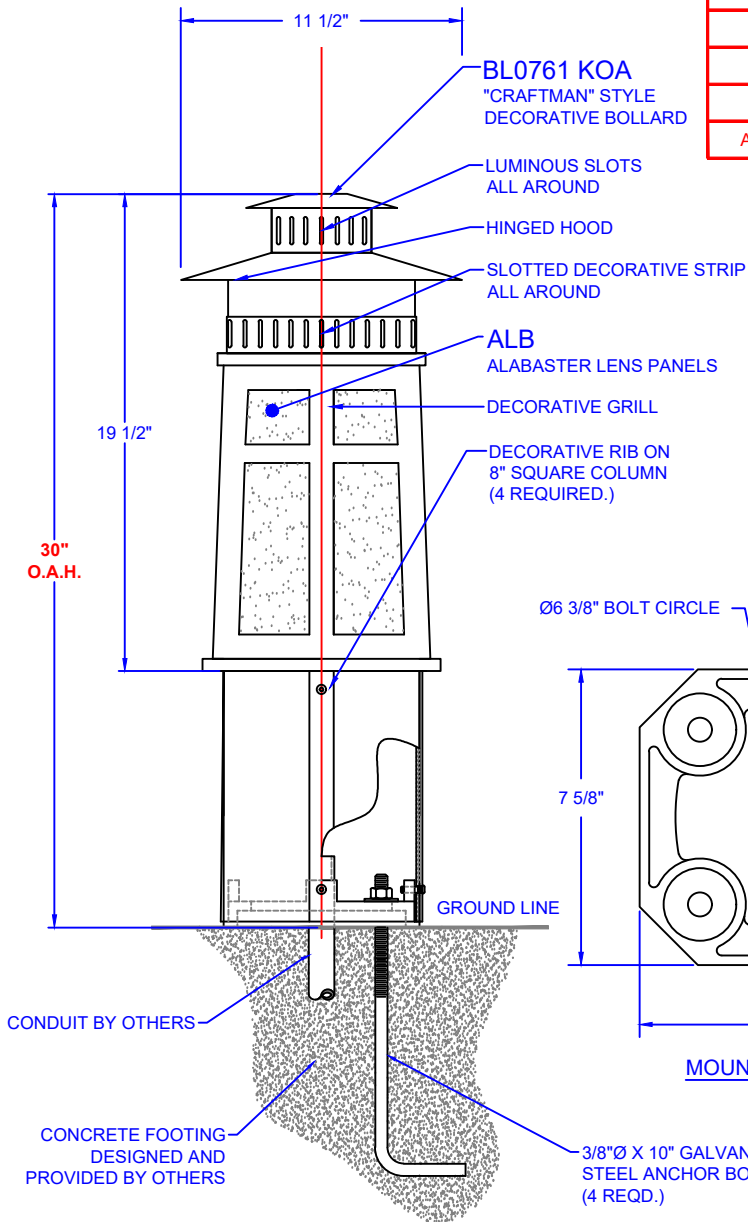
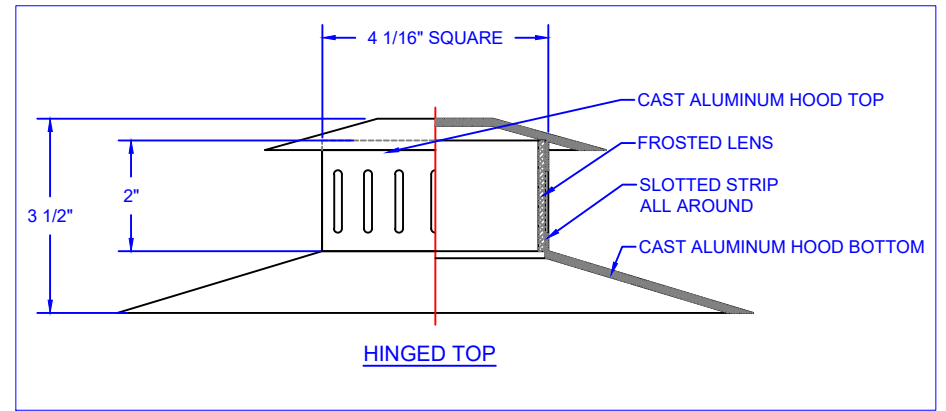


**MOUNTING DETAIL
CUSTOM POLE
BACK PLATE**

STANDARD PRODUCT	DUE DATE:
ORDER ENTRY	03/11/21
ENGINEERING	07/08/21
PICK ORDERS	08/18/21
CASTING & FAB	08/26/21
WELD	09/01/21
GRIND	09/08/21
PAINT	09/14/21
ASSEMBLY & SHIP	09/20/21

ANPLighting		9044 Del Mar Ave. Montclair, Ca. 91763 (909)-982-1807 (909)-985-4310:fax	
ORDER#:	163445	TYPE:	S1
PART#			
WM3153-KOA-LA0723FRP046LD4DT330K-KOA			
FIXTURE & ARM: #51 ARCHITECTURAL BRONZE		DRAWN BY: DUNCAN	
DATE:	09/15/21	SCALE:	-
QTY:	1	REV:	D
SHEET:	1 of 2		

STANDARD PRODUCT	DUE DATE:
ORDER ENTRY	03/11/21
ENGINEERING	07/08/21
PICK ORDERS	08/18/21
CASTING & FAB	08/26/21
WELD	09/01/21
GRIND	09/08/21
PAINT	09/14/21
ASSEMBLY & SHIP	09/20/21



9044 Del Mar Ave.
Montclair, Ca. 91763
(909)-982-1807
(909)-985-4310:fax

ANP Lighting

ORDER#: 163445 TYPE: S2

PART#: BL0761ALBM024LDDW40K-KOA

FINISH: #53 COPPER CLAY POWDERCOAT DRAWN BY: DUNCAN

DATE: 09/15/2021 SCALE: - QTY: 20 REV: D SHEET: 2 of 2