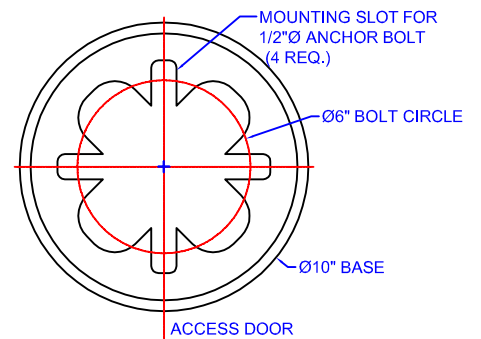


PROPORTIONAL VIEW
(NOT TO SCALE)



MOUNTING DETAIL
(NOT TO SCALE)