

Project: _____

Fixture Type: _____ Quantity: _____

Customer: _____



Specifications

General:
Due to size or weight, RLM arms may not accommodate all ANP RLM fixtures.

Cast back plate is provided as standard. Fits standard 4/0 junction box.

Material:
Arm is aluminum, Schedule 40, 3/4" ips. All parts are durable 356 cast aluminum. All mounting hardware provided shall be stainless steel or zinc plated steel and may not match finish.

Fixture Mounting:
Arm is threaded to attach to 3/4" fixture hub.

Electrical:
Pull wire provided with fixture.

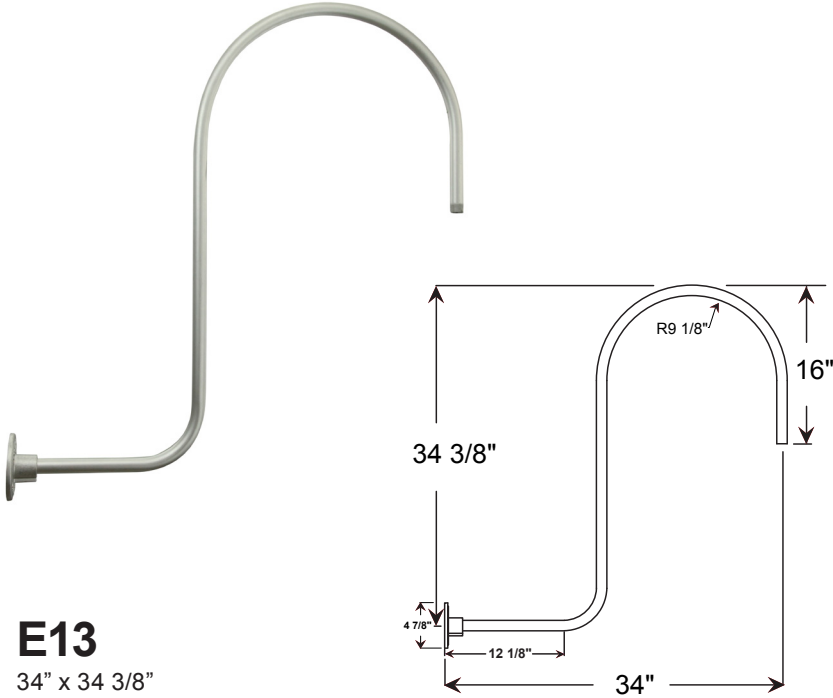
Accessories:
Optional cast back plate cover (CBC) slides over arm and is secured to arm by a set screw.

Optional scroll (SC) is welded to arm per customer specification.

Finish:
A polyester powder coat high quality finish is electro-statically applied and baked at 430° for exceptional durability and color retention. Products undergo an intensive five-step cleansing and pretreatment process for maximum paint adhesion.

Marine grade finish provides superior salt, humidity and UV protection. This coating withstands up to 3000 hours of continuous salt spray, comes with a 5-year warranty and is available in either a textured or gloss surface.

Modifications:
Consult factory for custom or modified arms.



E13

34" x 34 3/8"

Weight: 2.0 lbs

ACCESSORIES

CBC Cast Back Plate Cover (Spun Aluminum)		
SC Scroll		
SQ Square Back Plate		

FINISHES

Standard Grade	Marine Grade		Standard Grade	Marine Grade	
40	NA	Raw Unfinished	53	100	Copper Clay
41	101	Black	56	109	Silver
42	102	Forest Green	61	106	Black Verde
43	114	Bright Red	70	118	Painted Chrome
44	107	White	71	105	Painted Copper
45	112	Bright Blue	72	108	Textured Black
46	123	Sunny Yellow	73	125	Matte Black
47	120	Aqua Green	76	121	Textured Architectural Bronze
49	NA	Galvanized	77	127	Textured White
50	111	Navy	78	124	Textured Silver
51	103	Architectural Bronze	10	130	Aspen Green
52	104	Patina Verde	11	131	Cantaloupe
12	133	Lilac	13	132	Putty

Premium Grade	Marine Grade		Premium Grade	Marine Grade	
81	129	Extreme Chrome	64	116	Candy Apple Red
80	117	Textured Desert Stone	65	122	Cobalt Blue
67	119	Butterscotch	82	128	Graystone
66	115	Caramel	69	113	Gunmetal Gray
68	126	Black Silver	83	134	Oil Rubbed Bronze

Consult factory for additional paint charges and availability

CAST BACK PLATE MOUNTING DETAIL

