

Project: \_\_\_\_\_

Fixture Type: \_\_\_\_\_ Quantity: \_\_\_\_\_

Customer: \_\_\_\_\_



### Specifications

**Material:**  
Constructed of complete cast aluminum. All hardware provided shall be stainless steel. Screw hardware may not match paint.

**Glass:**  
Choice of clear, frosted or prismatic glass. Colored glass available for extra charge.

**Ballasts:**  
Fluorescent Ballast will be electronic. Fluorescent sockets will be 4 pin to accept quad or triple tube lamps.

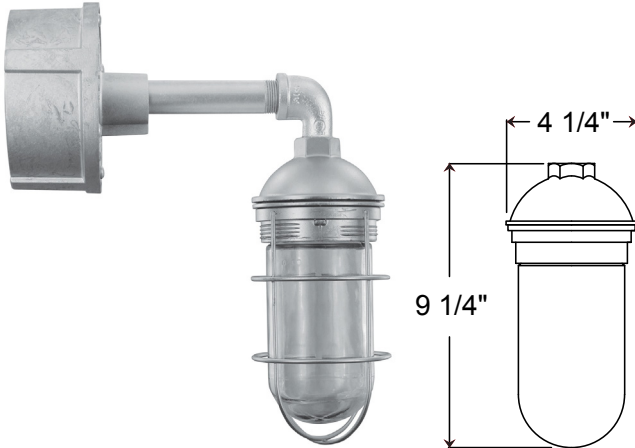
**Electrical:**  
4-Pin Socket; Multi-tap 120v, 208v, 240v & 277v.

**Finish:**  
A polyester powder coat high quality finish is electro-statically applied and baked at 430° for exceptional durability and color retention. Products undergo an intensive five-step cleansing and pretreatment process for maximum paint adhesion.

Marine grade finish provides superior salt, humidity and UV protection. This coating withstands up to 3000 hours of continuous salt spray, comes with a 5-year warranty and is available in either a textured or gloss surface.

**Certifications:**  
Cord mounts are UL Listed for dry locations. Arm, wall, post, pendant and stem mounts are UL Listed for wet locations.

**Modifications:**  
Consult factory for custom or modified designs.



## VTP100GL CFL

Weight: 2 lbs

### Catalog Logic

VTP100GL	-	CL	-	32WPL	-	RTCNC	-	E22	-	GUP	-	NA	-	PC	-	120v	-	49
Vapor Tight Style		Glass	Light Source/Wattage	Ballast Housing	Mounting Source	Guard	Shade Accessories	Accessories	Voltage	Finish								

Catalog Number	1	2	3	4	5	6	7	8	9
VTP100GL	CL	32WPL	RTCNC	E22	GUP	NA			

1	GLASS
NA	(No Glass)
<b>CL</b>	(Clear Glass)
FR	(Frosted Glass)
PR	(Prismatic Glass)
BLU	(Blue Glass)
AMB	(Amber Glass)
GRN	(Green Glass)
RED	(Red Glass)
BG	(Ball Glass -- White Only)

2	LIGHT SOURCE & WATTAGES
	Flourescent (WPL)
	GU24 Socket Option
	26WPL
	<b>32WPL</b>
	26WPLDIM
	32WPLDIM
	(Compact Fluorescent dimming is 0-10v and ballast must be located within 12" of lamp)

3	BALLAST HOUSING
	Flourescent (WPL)
	RTC (WPL Ballast Canopy)
	<b>RTCNC (WPL Ballast Canopy/No Spun Cover)</b>
	DBH (Dimming WPL Ballast Housing)

4	MOUNTING SOURCES
	Arm Mounts (Cast back plate included)
	E6 E9 E13 <b>E22</b> E23 E24 E25 E26 E27 E36 E39
	Wall Mounts
	WM35
	WM40
	WM318
	Post Mounts
	PM10
	PM20
	Pendant Mounts
	2 Light Pendant 100w Vapor Tights
	21PEND6 21PEND12 21PEND18 21PEND24 21PEND36
	21PEND48 21PEND60 21PEND72 21PEND96
	3 Light Pendant 100w Vapor Tights
	31PEND6 31PEND12 31PEND18 31PEND24 31PEND36
	31PEND48 31PEND60 31PEND72 31PEND96
	4 Light Pendant 100w Vapor Tights
	41PEND6 41PEND12 41PEND18 41PEND24 41PEND36
	41PEND48 41PEND60 41PEND72 41PEND96

4	MOUNTING SOURCES CONT.
	Cord Mounts
	BLC (6' black cord with 1" x 5 3/8" canopy)
	WHC (6' white cord with 1" x 5 3/8" canopy)
	Stem Mounts
	3/4" (1"OD Rigid Stems with STC Flat Canopy)
	3ST6 3ST12 3ST18 3ST24 3ST36 3ST48
	3ST60 3ST72 3ST96

5	GUARD
	NA (No Guard)
	<b>GUP (Wire Guard)</b>
	GUPC (Cast Guard)

6	SHADE ACCESSORIES
	<b>NA (No Accessory)</b>
	VTS (8" Angle Ring)

WARRANTY
See www.anplighting.com for complete fixture warranty.

Project: \_\_\_\_\_

Fixture Type: \_\_\_\_\_ Quantity: \_\_\_\_\_

Customer: \_\_\_\_\_

7 ACCESSORIES	
<b>CBC</b>	(Cast back plate Spun Alum Cover)
<b>PC</b>	(Button Photo Cell) Remote Only
<b>SC</b>	(Scroll for Arms)
<b>SLC</b>	(Sloped Ceiling Mount)
<b>SQ</b>	(Square Back Plate)
<b>SWL</b>	(Swivel)
<b>TBK</b>	(Turnbuckle Kit)

8 VOLTAGES			
120	208	240	277












9 FINISHES					
<u>Standard Grade</u>	<u>Marine Grade</u>		<u>Standard Grade</u>	<u>Marine Grade</u>	
40	NA	Raw Unfinished	53	100	Copper Clay
41	101	Black	56	109	Silver
42	102	Forest Green	61	106	Black Verde
43	114	Bright Red	70	118	Painted Chrome
44	107	White	71	105	Painted Copper
45	112	Bright Blue	72	108	Textured Black
46	123	Sunny Yellow	73	125	Matte Black
47	120	Aqua Green	76	121	Textured Architectural Bronze
49	NA	Galvanized	77	127	Textured White
50	111	Navy	78	124	Textured Silver
51	103	Architectural Bronze	10	130	Aspen Green
52	104	Patina Verde	11	131	Cantaloupe
12	133	Lilac	13	132	Putty
<u>Premium Grade</u>	<u>Marine Grade</u>		<u>Premium Grade</u>	<u>Marine Grade</u>	
81	129	Extreme Chrome	64	116	Candy Apple Red
80	117	Textured Desert Stone	65	122	Cobalt Blue
67	119	Butterscotch	82	128	Graystone
66	115	Caramel	69	113	Gunmetal Gray
68	126	Black Silver			






Consult factory for additional paint charges and availability




Project: \_\_\_\_\_








Fixture Type: \_\_\_\_\_ Quantity: \_\_\_\_\_









Customer: \_\_\_\_\_


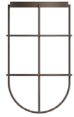
ARM MOUNTS   Dimensions are Projection x Height   CB included with all arms			
			
<b>E6</b>   26 1/8" x 9 1/4"	<b>E9</b>   28" x 40 5/8"	<b>E13</b>   34" x 34 3/8"	<b>E22</b>   7 1/2" x 2"
			
<b>E23</b>   6" x 2" x 11 1/2"	<b>E24</b>   10" x 2"	<b>E25</b>   23" x 5 1/4"	<b>E26</b>   8 1/8" x 6"
			
<b>E27</b>   10" x 2"	<b>E36</b>   20 1/4" x 8"	<b>E39</b>   10 1/2" x 15 1/8"	

WALL MOUNTS   Dimensions are Projection x Height		POST MOUNTS   Dimensions are Projection x Height	
			
<b>WM35</b>   20 1/2" x 25"	<b>WM40</b>   13 7/8" x 14 3/4"	<b>PM10</b>   14 1/2" x 25"	<b>PM20</b>   30 1/8" x 25"
			
<b>WM318</b>   12" x 12 3/4"			

PENDANT MOUNTS   xx is Height of Pendant Stem			
			
<b>21PENDxx</b>   11 1/2" w	<b>31PENDxx</b>   23" w	<b>41PENDxx</b>   23" x 23"	

ACCESSORIES			
			
<b>CBC</b>	<b>PC</b>	<b>SC</b>	<b>SLC</b>
			
<b>SQ</b>	<b>SWL</b>	<b>TBK</b>	

GLASS	
	
<b>CL (Clear)</b>	<b>FR (Frosted)</b>
	
<b>PR (Prismatic)</b>	<b>BLU (Blue)</b>
	
<b>AMB (Amber)</b>	<b>GRN (Green)</b>
	
<b>RED (Red)</b>	<b>BG (White Ball Glass)</b>

GUARDS	
	
<b>GUPC 100</b>	<b>GUP 100</b>

Ballast Housing	
	RTC
	RTCNC
	DBH