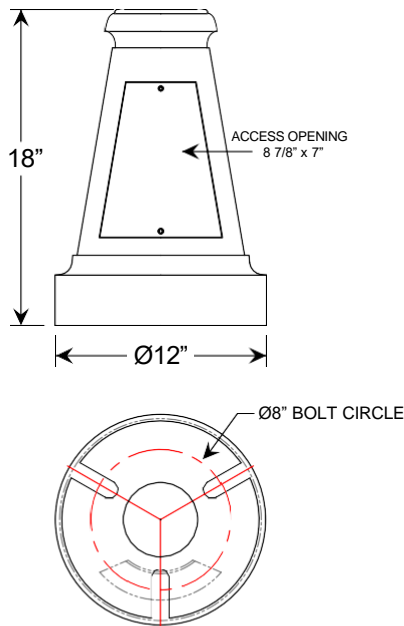


Project: _____

Fixture Type: _____ Quantity: _____

Customer: _____



Specifications

Material:
All parts are durable 356 cast aluminum and high strength extruded aluminum.

Shafts are available in 3" and 4" diameter and wall thickness of .125 or .188.

All hardware provided shall be stainless steel or zinc plated steel.

Mounting:
Standard anchor bolts provided are 3/4" x 18" x 3". Bolts, nuts and washers shall be hot dipped galvanized steel .

Bolt pattern diameter is 8".

Access
Hand access opening and cover are provided in cast base. Hand hole cover is secured by two stainless steel machine screws. (Tamper-proof screws provided upon request). See drawing for position of hand hole.

4 1/4" bottom hole provided for conduit access.

Grounding
All cast bases are provided with an aluminum grounding lug integrated to inner wall of shaft, 180 degrees to hand hole. Grounding lug is drilled and tapped to accommodate 1/4"-20 stainless steel machine screw.

Pole Height
Maximum pole height is 10 feet.

Finish:
A polyester powder coat high quality finish is electro-statically applied and baked at 430° for exceptional durability and color retention. Products undergo an intensive five-step cleansing and pretreatment process for maximum paint adhesion.

Marine grade finish provides superior salt, humidity and UV protection. This coating withstands up to 3000 hours of continuous salt spray, comes with a 5-year warranty and is available in either a textured or gloss surface.

Modifications:
Consult factory for custom or modified designs.



CB0200

Weight: 20 lbs
Anchor Bolts: 3

Catalog Logic

CB0200 - **4S0.125** - **GFI20** - **72**

Cast Base Shaft Accessory Finish

Catalog Number

CB0200

Additional heights and pole diameters may be available. Contact factory for your specific needs.

1	Smooth Shaft Catalog No.	1	Fluted Shaft Catalog No.	Shaft Diameter	Finished Height	Wall Thickness
	3S6.125		3F6.125	3"	6'	.125
	3S7.125		3F7.125	3"	7'	.125
	3S8.125		3F8.125	3"	8'	.125
	3S9.125		3F9.125	3"	9'	.125
	3S10.125		3F10.125	3"	10'	.125
	-		-	-	-	-
	4S8.125		-	4"	8'	.125
	4S9.125		-	4"	9'	.125
	4S10.125		-	4"	10'	.125
	-		-	-	-	-
	-		4F8.188	4"	8'	.188
	-		4F9.188	4"	9'	.188
	-		4F10.188	4"	10'	.188

2 ACCESSORIES

GFI15 (15 amp GFCI receptacle outlet)

GFI20 (20 amp GFCI receptacle outlet)

GFI-WPU (20 amp GFCI receptacle with weather proof in-use cover)

BAA (Cast Banner Arm A for 24" wide banner)

BAB (Cast Banner Arm B for 30" wide banner)

BAC (Cast Banner Arm C for 30" wide banner)

LR1 (Cast Ladder Rest 1)

LR3 (Cast Ladder Rest 3)

LR4 (Cast Ladder Rest 4)

LR5 (Cast Ladder Rest 5)

SIGN A (Cast Sign A; 30" x 9", 8 letters/numbers on one line; requires Banner Arm to hang)

SIGN B (Cast Sign B; 31" x 7", 12 letters/numbers on one line; requires banner Arm to hang)

SIGN C (Cast Sign C; 27" x 11", two rows of 8 letters/numbers on each line, requires Banner Arm to hang)

SIGN D (Cast Sign D; 11" x 6 1/2", 4 letters/numbers on one line)

SIGN E (Cast Sign E; comes with pole clamp, 24 1/2" x 6", 9 letters/numbers on one line)

FPH1 (Flag Pole Holder)

TP (Tamper Proof Screws)

3 FINISHES

Standard Grade	Marine Grade	Standard Grade	Marine Grade
40	NA	53	100
41	101	56	109
42	102	61	106
43	114	70	118
44	107	71	105
45	112	72	108
46	123	73	125
47	120	76	121
49	NA	77	127
50	111	78	124
51	103	10	130
52	104	11	131
12	133	13	132

Consult factory for additional paint charges and availability